

# batmatic

# batroller



The new professional equipment for the compaction of slabs and paving stones

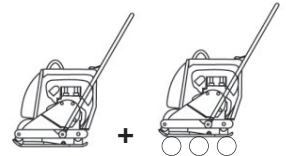


# batroller B8

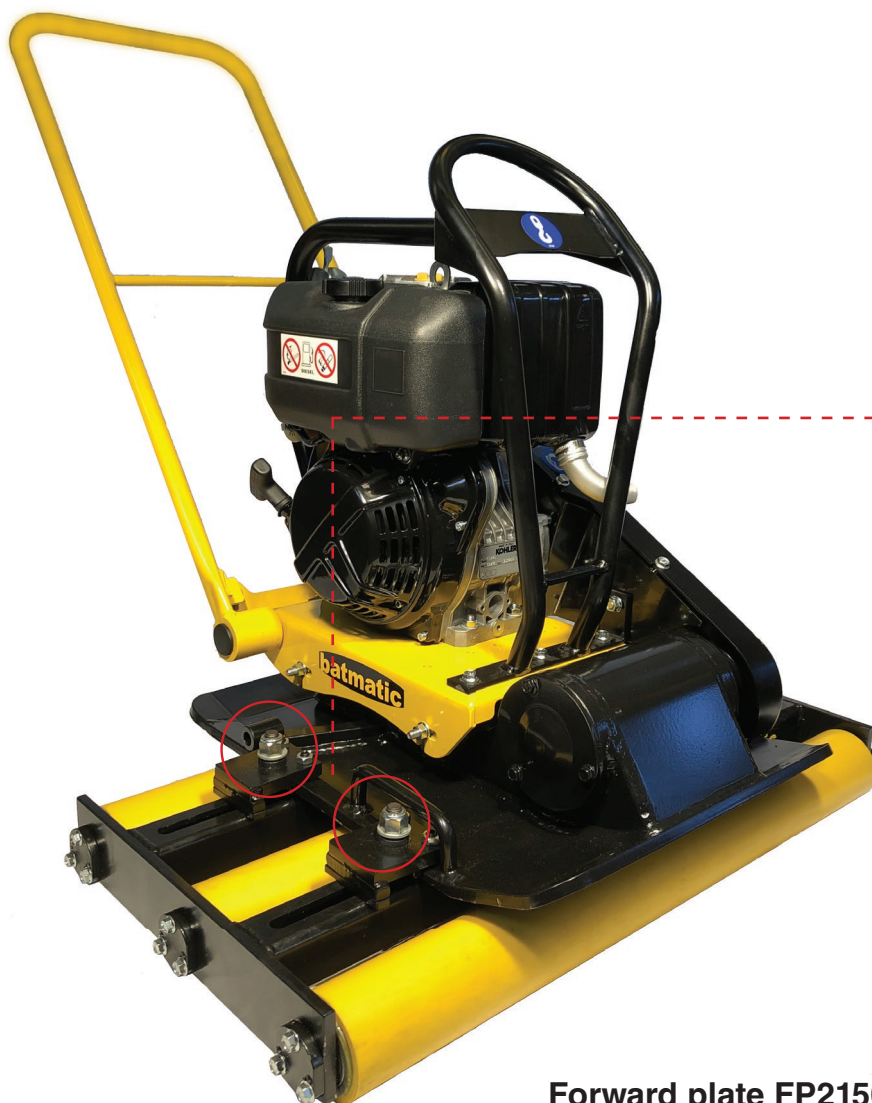
**Batroller** is the smart equipment, designed by Batmatic, for the laying of outdoor flooring. It is used particularly for planks, slabs, concrete blocks and natural stone, ensuring a professional compaction at the highest level.

## Simple, innovative, easy to handle

- ✔ Batroller can be installed on all plate compactors from 16 to 30 kN
- ✔ Two vibrating plates in one: Batroller makes your forward plate a reversible plate
- ✔ Thanks to the roller width and the feed speed, working times are reduced up to 60%
- ✔ Easy to handle = Less effort for the operator
- ✔ The innovative coating of the rollers avoids breakage and chipping of the most delicate materials
- ✔ Rollers do not move the flooring, cutting out repositioning time



## The new equipment for outdoor flooring

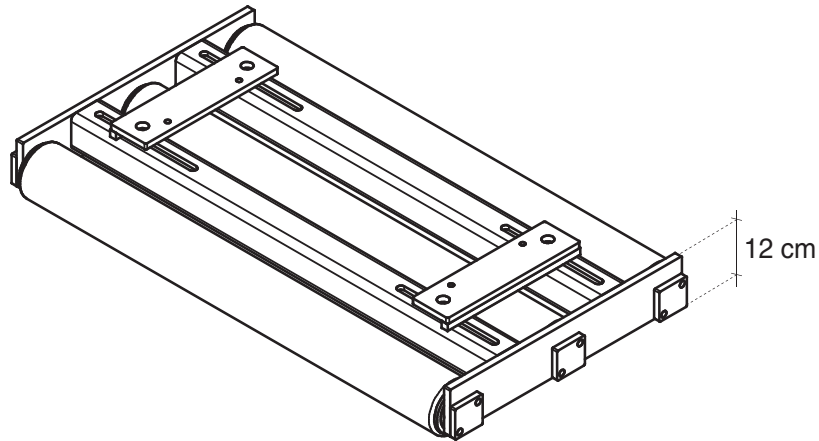
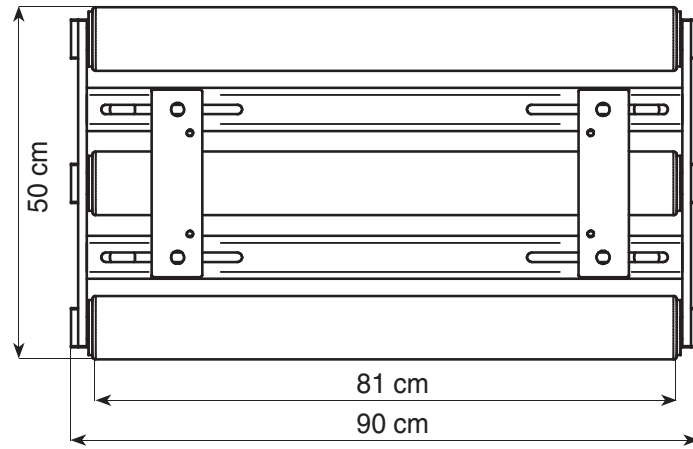


Fixings



Forward plate FP2150 with Batroller

# Technical features



WEIGHT	TOTAL WIDTH	ROLLER WIDTH	TOTAL LENGTH	HEIGHT
70 kg	90 cm	81 cm	50 cm	12 cm



Sole Distributor:

شركة الوسام للتجارة ذ.م.م.  
AL WISAM TRADING CO. L.L.C.

☎ : (+971 6) 539 03 83      ✉ : awtc@alwisamllc.com  
☎ : (+971 6) 539 03 84      🌐 : www.alwisamllc.com  
📍 : 81933, Sharjah - U.A.E.